



HAZE

**POWER TO KEEP
YOU ON THE MOVE**

www.hazebattery.com

ELECTRIC VEHICLE applications are wide and varied with many durability & power demands placed firmly on the batteries shoulders.



Tough ABS case with INSERT TERMINALS as standard, smaller sizes with FASTON.

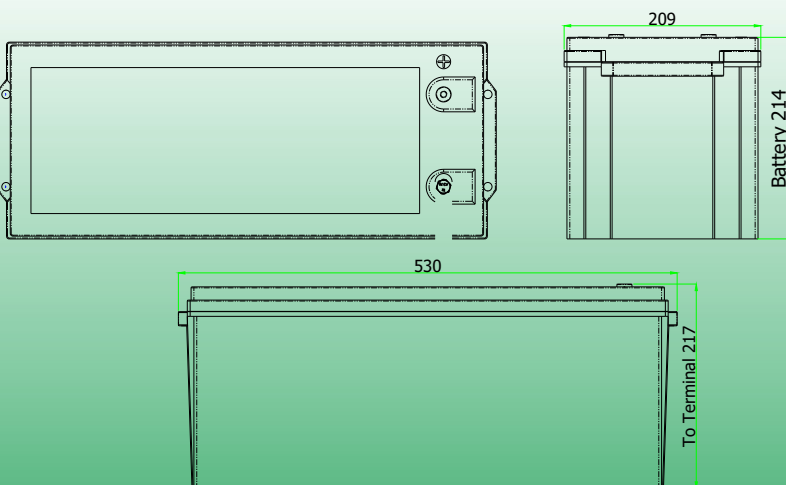
Special Active Material Formulation & AGM Technology delivers cranking amps, general power and long/deep discharges.

GOOD CYCLE LIFE and resistance to mechanical stress and the elements all in one battery.

HAZE ELECTRIC VEHICLE AGM always delivers when you need it, whatever your DC requirement in general EV applications.

	Dimensions mm - kg						Dimensions Inches - lbs						Cold Cranking Amps		
	Length	Width	Height Auto	Height Insert	Height Battery	Weight	Length	Width	Height Auto	Height Insert	Height Battery	Weight	20°C (68°F)	0°C (32°F)	-18°C (0°F)
HZB-EV12-160	530	209	234	217	214	55	20.87	8.23	9.21	8.54	8.43	121.3	1079	985	852

	Volts	Thread size mm	Reserve Capacity - Mins					Capacity - Ampere Hour*							
			75 Amps	25 Amps	20 Amps	15 Amps	8 Amps	100 Hr	48 Hr	20 Hr	10 Hr	5 Hr	3 Hr	1 Hr	
HZB-EV12-160	12	8	97	326	424	597	1230	208	195	181	160	146	135	107	



EV Charging - To obtain maximum cycle life from your EV battery it is important that a suitable charging profile is used. For information about the Haze range of chargers and the **Haze recommended charging profile** contact your local Haze distributor.

NOTE: All Haze AGM batteries are true cycling batteries, plate chemistry is specifically for cyclic applications.

HAZE ELECTRIC VEHICLE AGM delivers maximum capacity within five cycles and keeps delivering long after the others are on the scrap heap. HAZE R&D has resulted in **SPECIAL CHEMICAL and PROCESS** technology to ensure consistency and performance.

290114